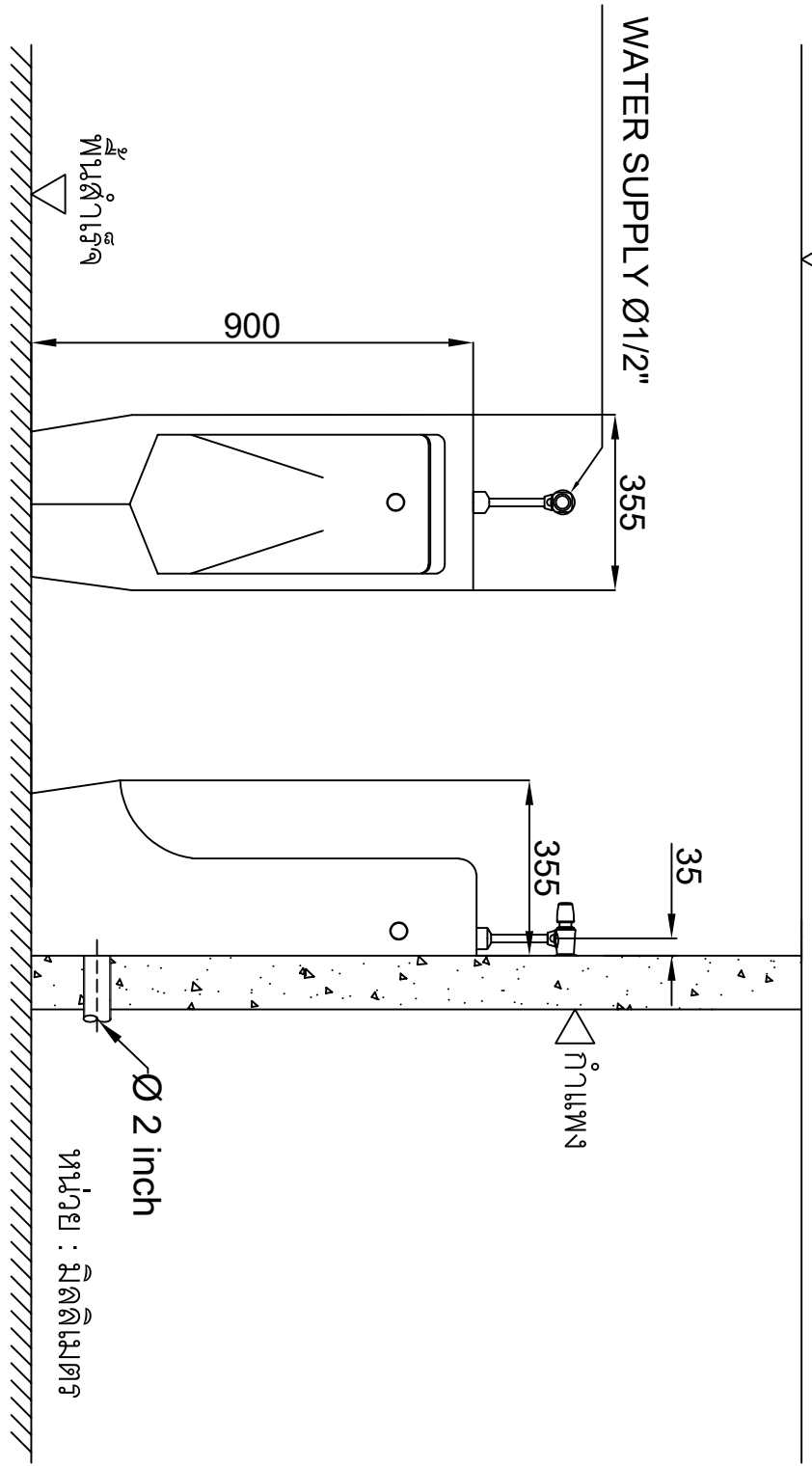


COPY TO	QTY

หน้า / หน้าดิน



UNIT
mm
SCALE
1:1

DESIGNED
C. TIRAWAT
06/04/2026
DRAWN
C. TIRAWAT
06/04/2026
CHECKED
APPROVAL

MATERIAL	-	QTY	-	SET	-	DATE		REVISION		CHECKED		R.NO.	
TOLERANCE	±0.2	MODEL	-					PART CODE	AT-152				
UP TO													
OVER													

THAIFAST ELECTRIC CORPORATION LIMITED
162 MOO 17 SOI KRITTAVA 2 TAMBON BANG PHU YAI
AMPHUR BANGPHU SAMUT PRAKAN 10540
TEL. 02-041-7433 , 02-041-7423 , 02-041-7433

PART NAME
Manually Operated Man's Urinal