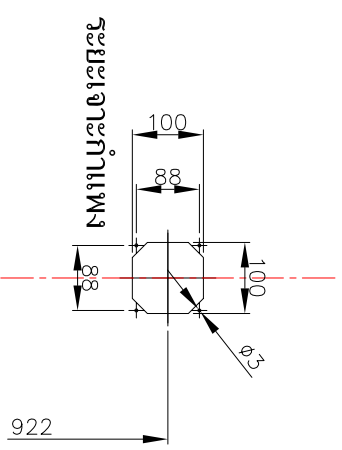
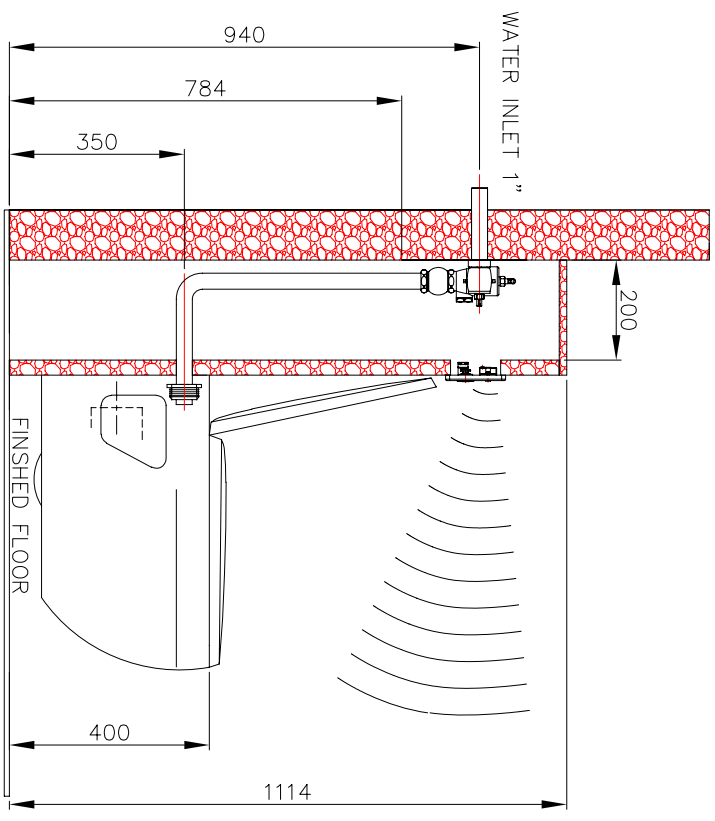
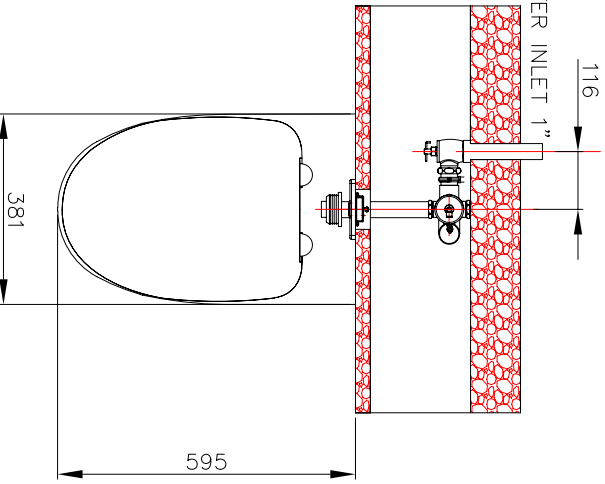
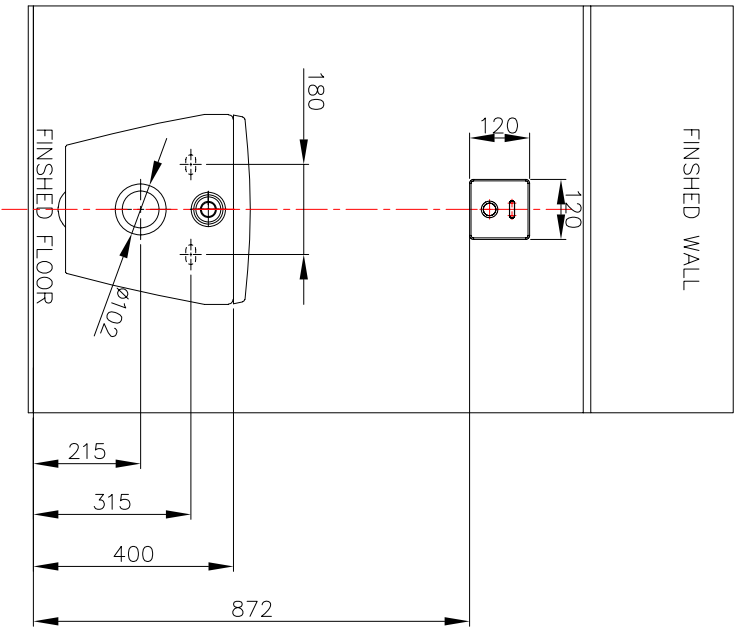



COPY TO	QTY



FILE NAME	PAGE NO.	ITEM NO.	DRAWING CODE
NO.	PART NAME	PART CODE	MATERIAL

MATERIAL	QTY	MODEL	REVISION	CHECKED
—	1	AT-316WMS	—	RND.
TOLERANCE	±0.2	DATE		
UP TO				
OVER				
 THAIFAST ELECTRIC CORPORATION LIMITED 239/AI-40 SIKHAKHIT ROAD, BANCHANG PRAKANG BANGKOK 10250 THAILAND TEL : 0-5377-9615-6 0-2322-2896-4 e-mail : thafast@thafast.com.th			PART NAME	
			INSTALLATION AT-316WMS	