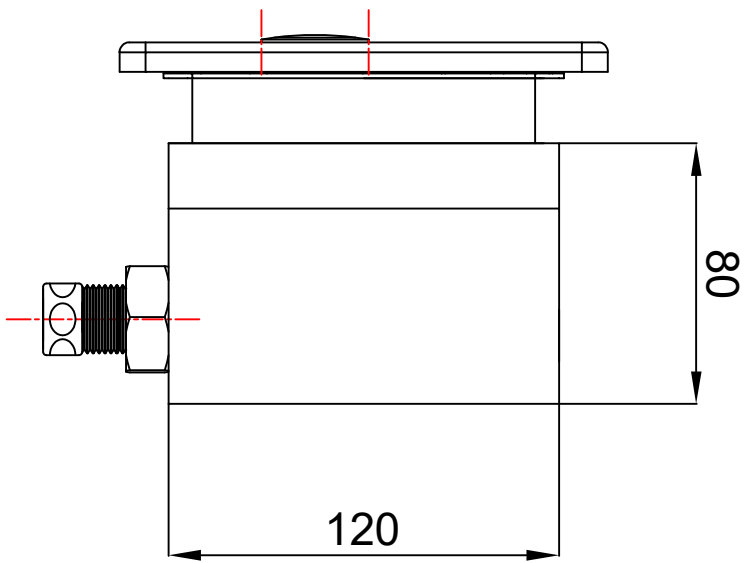
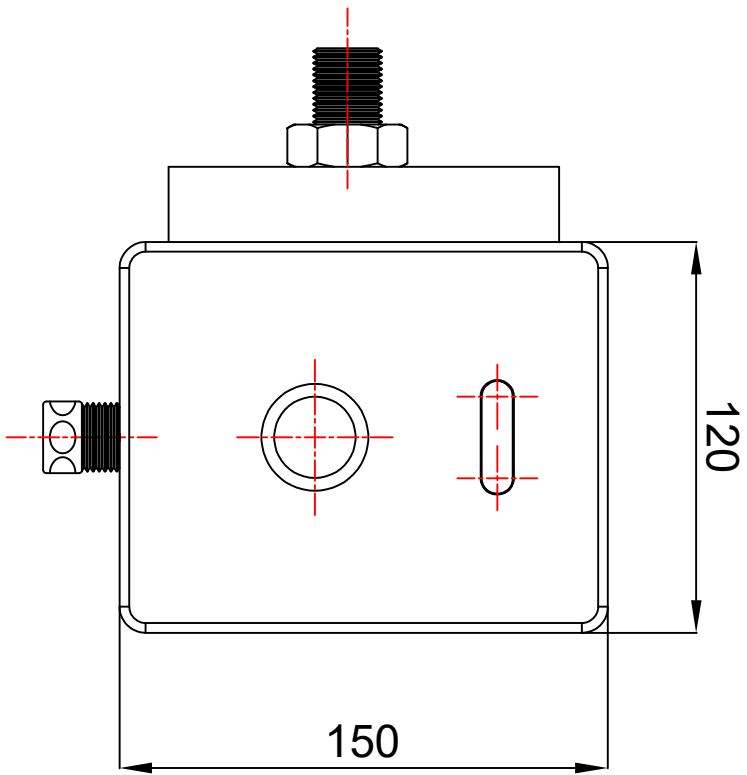


COPY TO	QTY



UNIT  
mm

SCALE  
1:1

DESIGNED  
C. TIRAWAT  
19/03/2026

DRAWN  
C. TIRAWAT  
19/03/2026

CHECKED

APPROVAL

MATERIAL		-		QTY		-		DATE		REVISION		CHECKED		R.N.O.	
TOLERANCE ±0.2		MODEL		SET		DATE		PART CODE		AT-317UM					
UP TO															
OVER															

THAIFAST ELECTRIC CORPORATION LIMITED  
 162 MOO 17 SOI KRITTA 2 TAMBON BANG PHU YAI  
 AMPHUR BANGPHU SAMUT PRAKAN 10540  
 TEL: 02-041-7413 , 02-041-7423 , 02-041-7433

PART NAME  
Well-Mounted Automatic Urinal Flush Valve