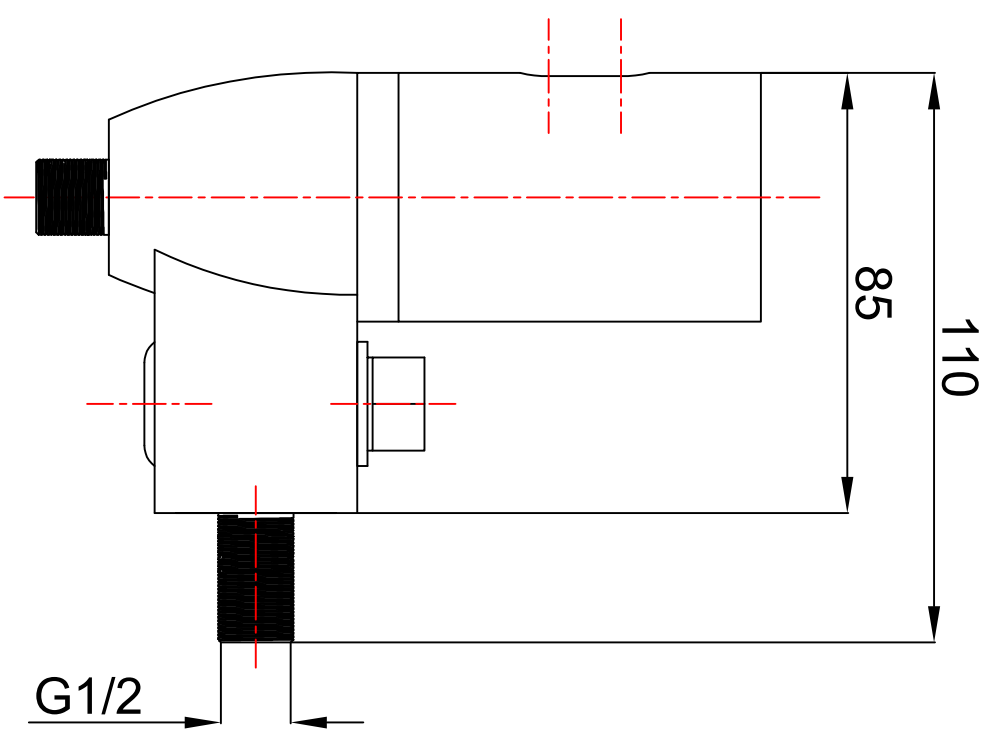
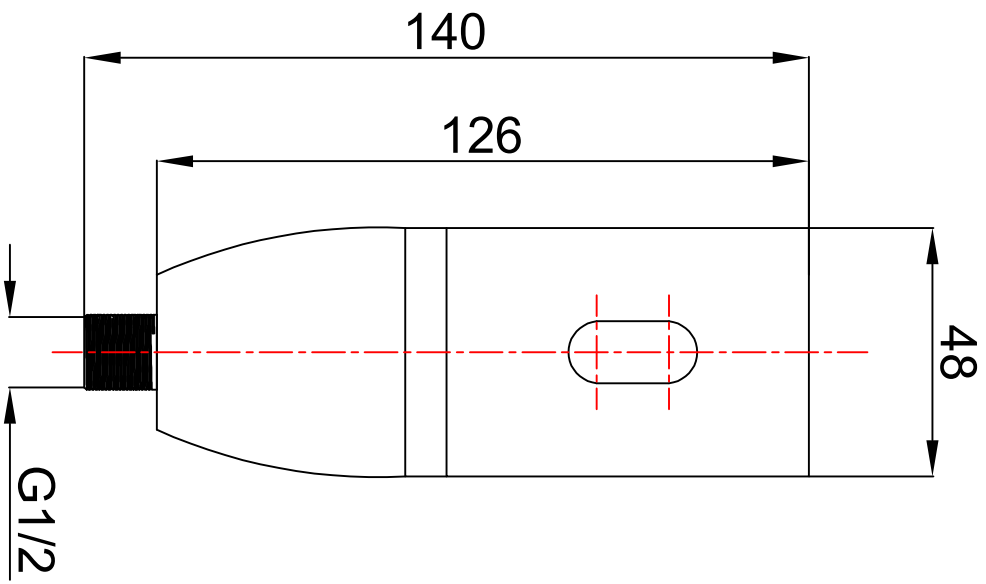


COPY TO	QTY



UNIT
mm

SCALE
1:1

DESIGNED
C. TIRAWAT
16/03/2026

DRAWN
C. TIRAWAT
16/03/2026

CHECKED
APPROVAL

MATERIAL	-	QTY	-	SET	DATE	REVISION	CHECKED	R.N.O.
TOLERANCE	±0.2	MODEL	-					
UP TO								
OVER								

THAIFAST ELECTRIC CORPORATION LIMITED
 162 MOO 17 SOI KRITTA 2 TAMBON BANG PHU YAI
 AMPHUR BANGPHU SAMUT PRAKAN 10540
 TEL: 02-041-7413 , 02-041-7423 , 02-041-7433

PART NAME
Automatic Urinal Flush Valve

AT-103