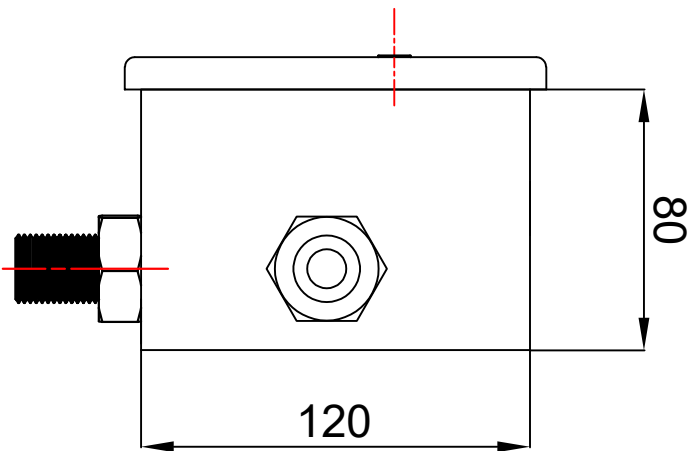
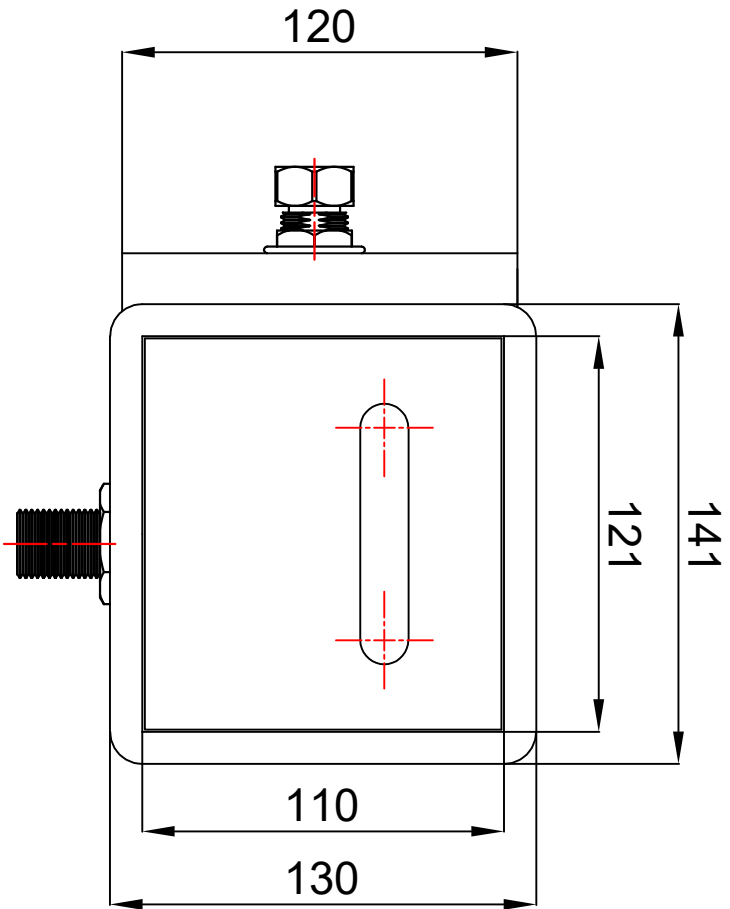


COPY TO	QTY



UNIT
mm
SCALE
1:1

DESIGNED
C. TIRAWAT
20/03/2026

DRAWN
C. TIRAWAT
20/03/2026

CHECKED

APPROVAL

MATERIAL		-		QTY		-		DATE		REVISION		CHECKED R.N.O.	
TOLERANCE ± 0.2		MODEL		SET		DATE		PART CODE		AT-300			
UP TO		OVER											

THAIFAST ELECTRIC CORPORATION LIMITED
 162 MOO 17 SOI KRITANA 2 TAMBON BANG PHU YAI
 AMPHUR BANGPHU SAMUT PRAKAN 10540
 TEL: 02-041-7413 , 02-041-7423 , 02-041-7433

Well Mounted Automatic Urinal Flush Valve