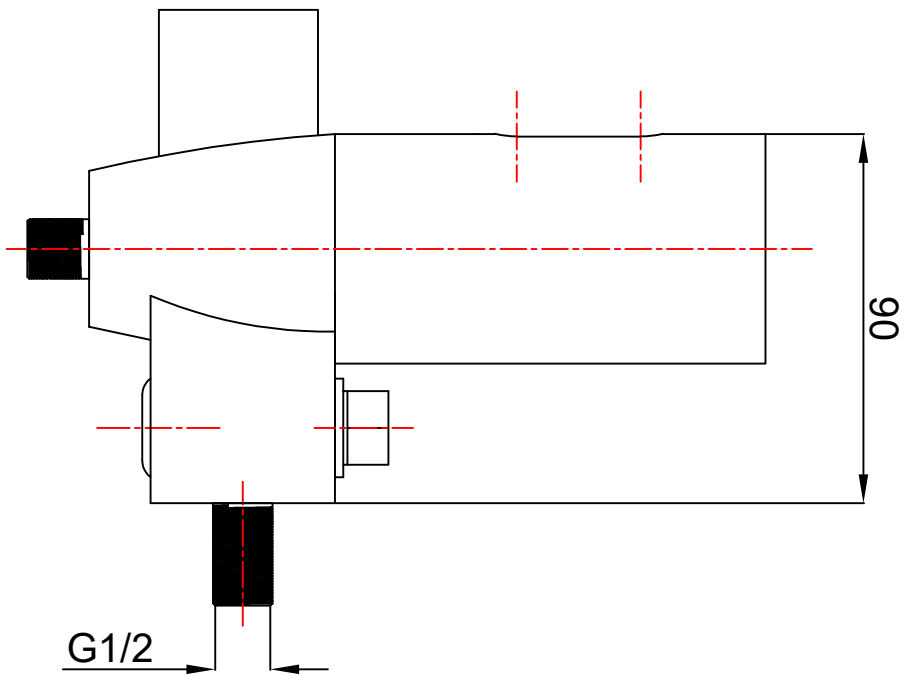
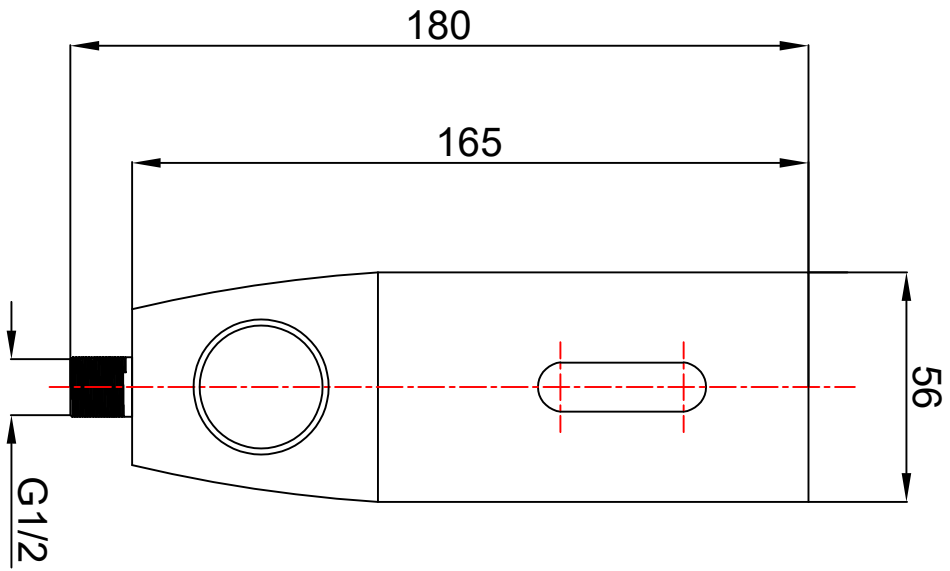


COPY TO	QTY



UNIT
mm

SCALE
1:1

DESIGNED
C. TIRAWAT
17/03/2026

DRAWN
C. TIRAWAT
17/03/2026

CHECKED

APPROVAL

MATERIAL	-	QTY	-	MODEL	-	DATE		REVISION		CHECKED		R.N.O.	
TOLERANCE	±0.2	SET	△	DATE		PART CODE	AT-109M						
UP TO		OVER											

THAIFAST ELECTRIC CORPORATION LIMITED
162 MOO 17 SOI KRITTA 2 TAMBON BANG PHU YAI
AMPHUR BANGPHU SAMUT PRAKAN 10540
TEL: 02-041-7413 , 02-041-7423 , 02-041-7433

PART NAME
Automatic Urinal Flush Valve