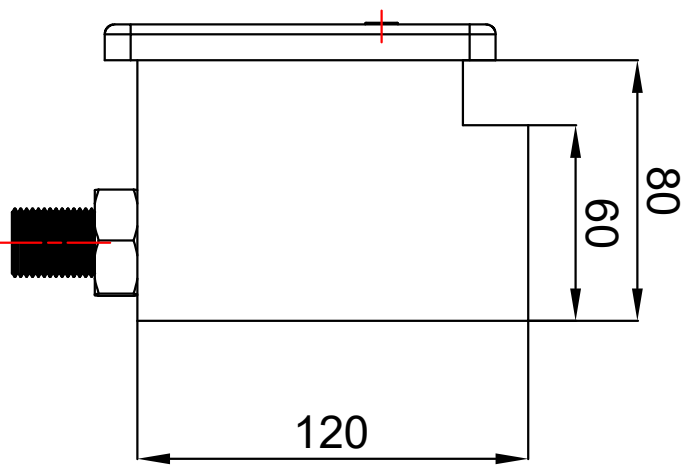
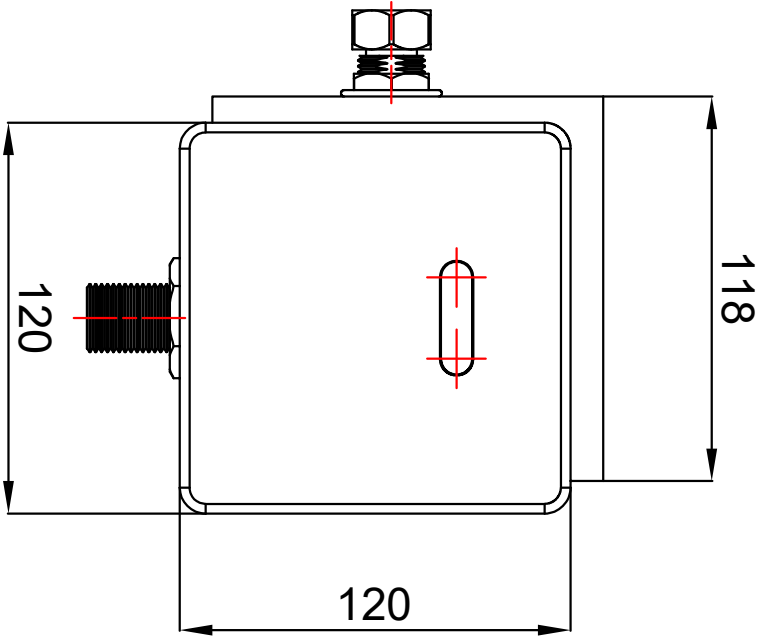


COPY TO	QTY



UNIT
mm

SCALE
1:1

DESIGNED
C. TIRAWAT
19/03/2026

DRAWN
C. TIRAWAT
19/03/2026

CHECKED

APPROVAL

MATERIAL	-	QTY	-	DATE		REVISION		CHECKED		R.N.O.	
TOLERANCE	±0.2	MODEL	-	DATE		REVISION		CHECKED		R.N.O.	
UP TO		MODEL		DATE		REVISION		CHECKED		R.N.O.	
OVER		MODEL		DATE		REVISION		CHECKED		R.N.O.	
PART NAME						AT-310U					

THAIFAST ELECTRIC CORPORATION LIMITED
162 MOO 17 SOI KRITTA 2 TAMBON BANG PHU YAI
AMPHUR BANGPHU SAMUT PRAKAN 10540
TEL: 02-041-7413 , 02-041-7423 , 02-041-7433

Well-Mounted Automatic Urinal Flush Valve