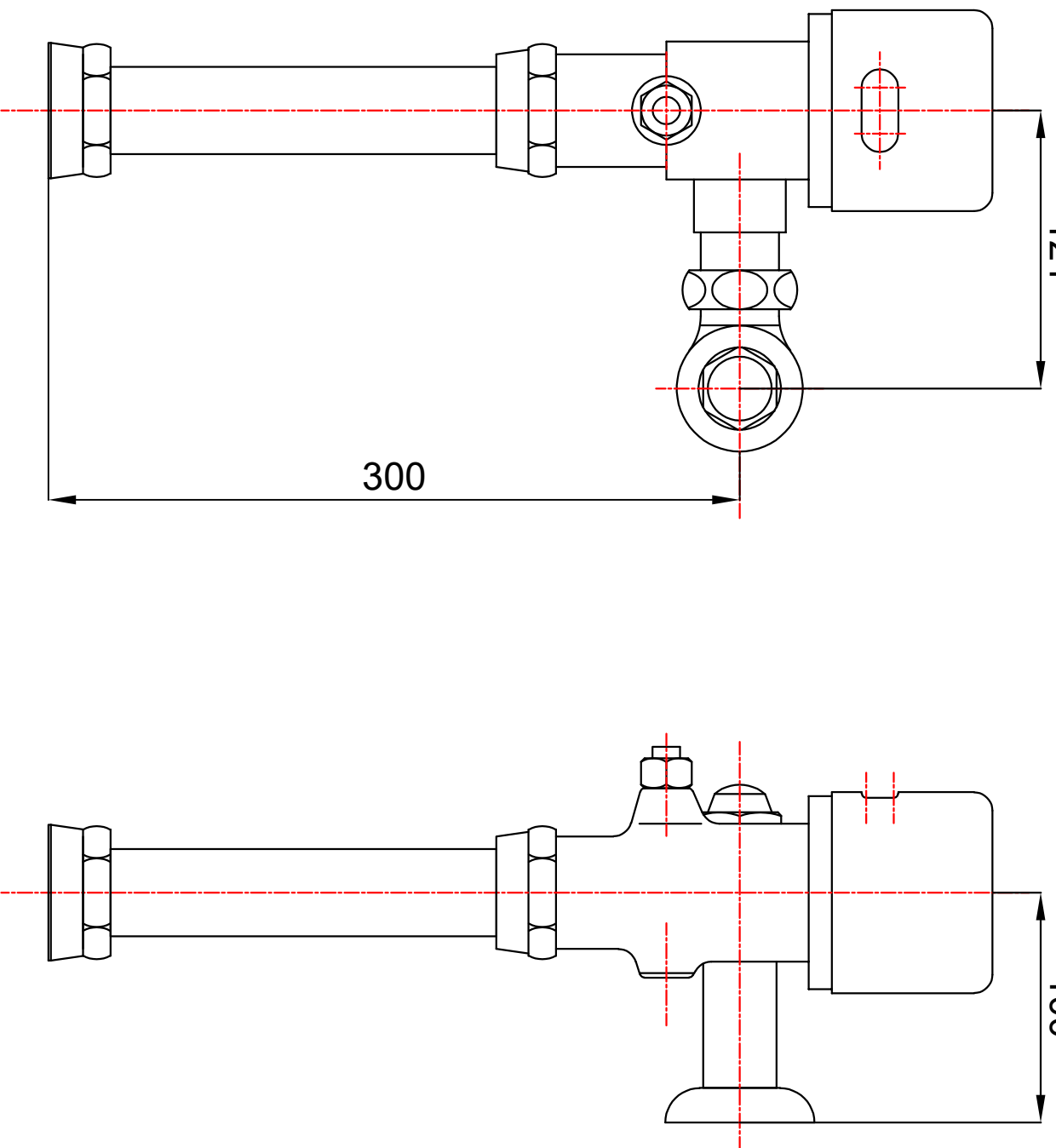


121

100

300



UNIT  
mm

SCALE  
1:1

DESIGNED  
C. TIRAWAT  
23/03/2026

DRAWN  
C. TIRAWAT  
23/03/2026

CHECKED

APPROVAL

MATERIAL

TOLERANCE **±0.2**

UP TO OVER

QTY  
SET

DATE

REVISION

CHECKED R.N.O.

MODEL

PART CODE

THAIFAST ELECTRIC CORPORATION LIMITED  
162 MOO 17 SOI KRITTA 2 TAMBON BANG PHU YAI  
AMPHUR BANGPHU SAMUT PRAKAN 10540  
TEL: 02-041-7413 , 02-041-7423 , 02-041-7433

PART NAME  
**Automatic Toilet Flush Valve**

H - 8000 C / HB - 8000 C - A