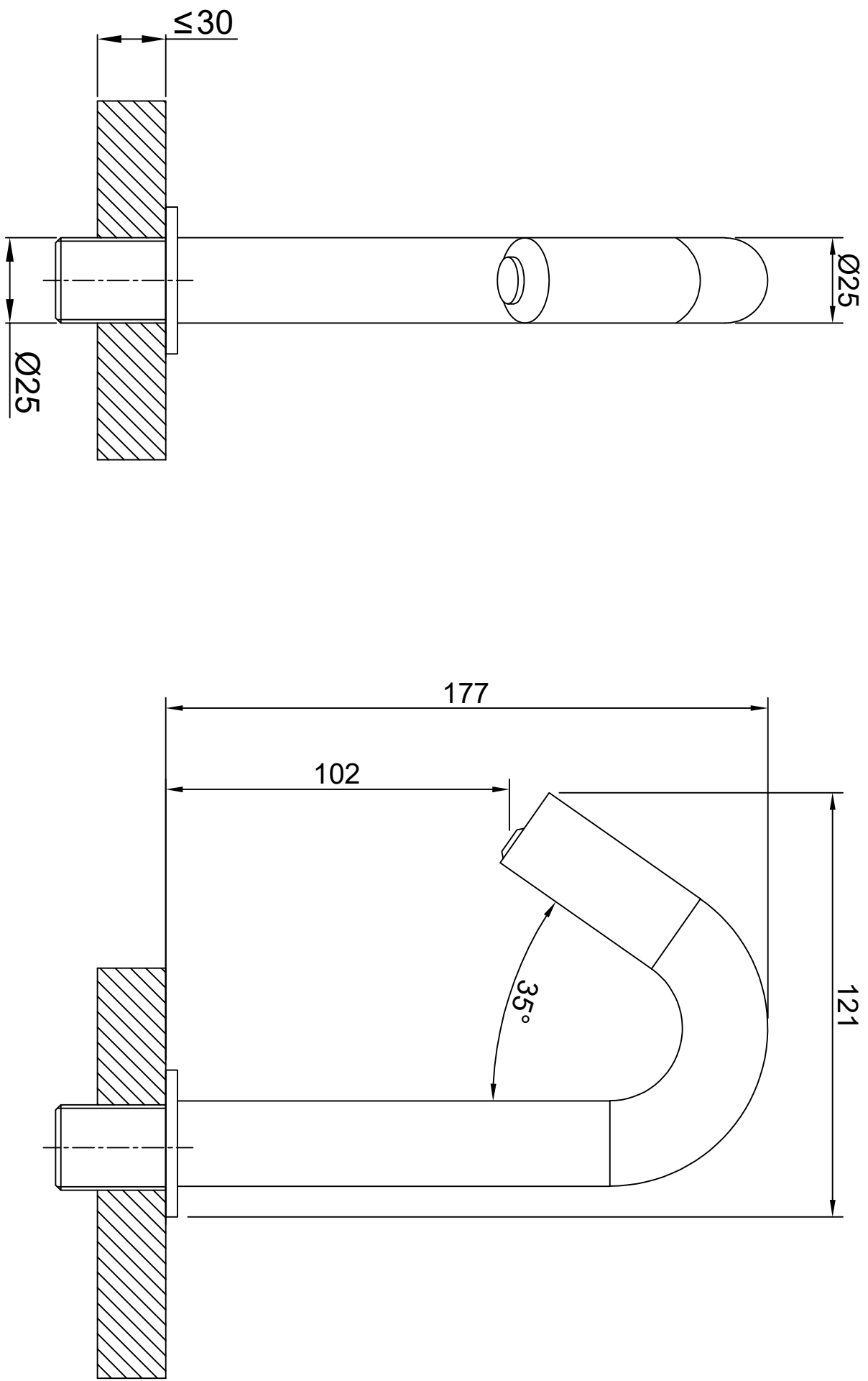


COPY TO	QTY



UNIT
mm

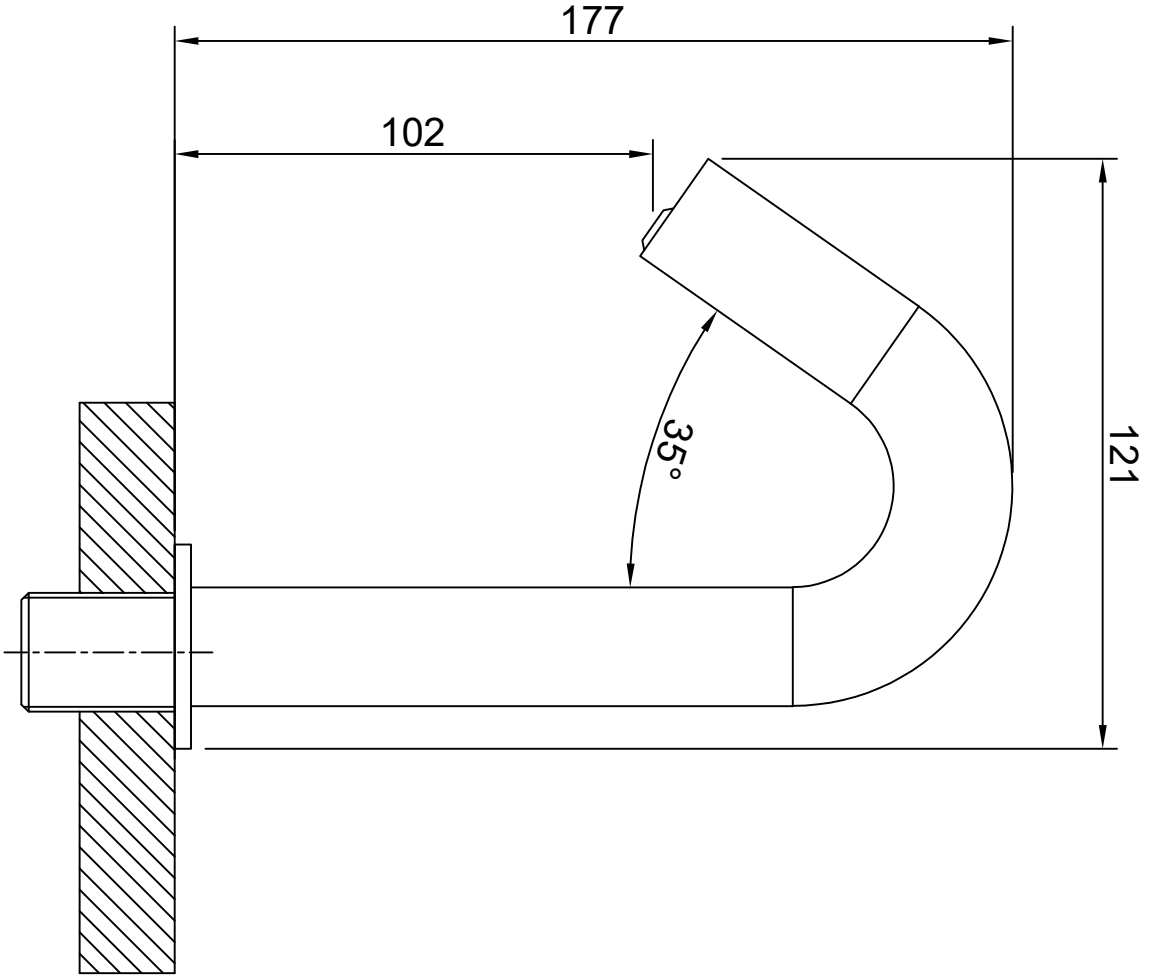
SCALE
1:1

DESIGNED
C. TIRAWAT
10/03/2026

DRAWN
C. TIRAWAT
10/03/2026

CHECKED

APPROVAL



MATERIAL		QTY		DATE		REVISION		CHECKED R.N.O.	
-		-							
TOLERANCE ±0.2		SET		DATE		REVISION		CHECKED R.N.O.	
UP TO		MODEL							
OVER		-						AFS-119	

THAIFAST ELECTRIC CORPORATION LIMITED
162 MOO 17 SOI KRITTA 2 TAMBON BANG PHU YAI
AMPHUR BANGPHU SAMUT PRAKAN 10540
TEL: 02-041-7413 , 02-041-7423 , 02-041-7433

PART NAME
Automatic Foam Soap Dispenser