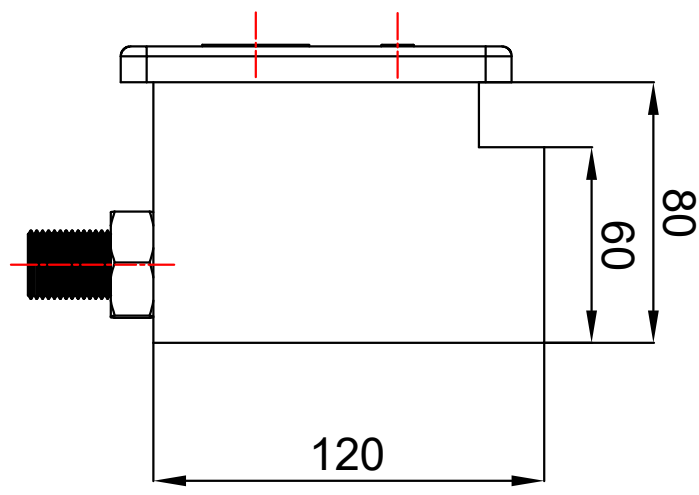
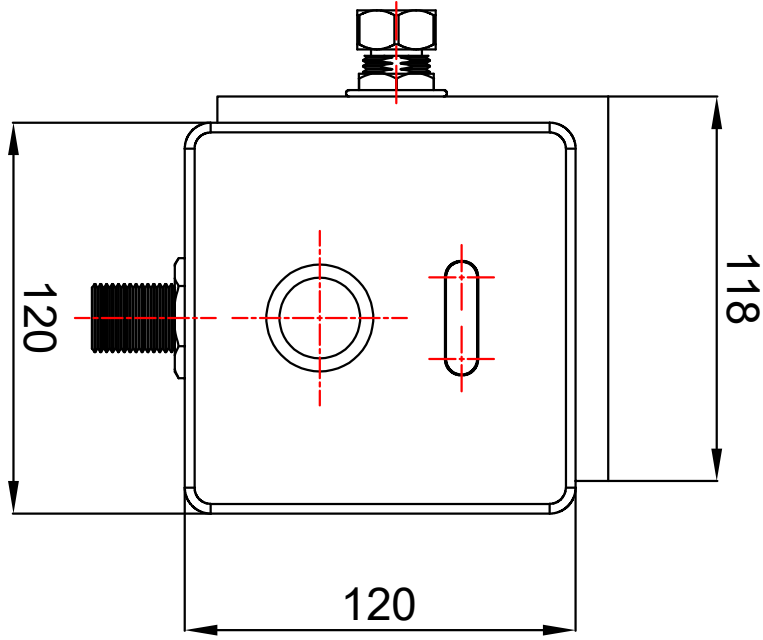


| | |
|---------|-----|
| COPY TO | QTY |
| | |
| | |
| | |
| | |



UNIT
mm

SCALE
1:1

DESIGNED
C. TIRAWAT
19/03/2026

DRAWN
C. TIRAWAT
19/03/2026

CHECKED

APPROVAL

| | | | | | | | |
|-----------|------|-------|---|-----------|----------|---------|--|
| MATERIAL | - | QTY | - | REVISION | | CHECKED | |
| TOLERANCE | ±0.2 | SET | △ | DATE | | R.N.O. | |
| UP TO | | MODEL | - | PART CODE | AT-310UM | | |
| OVER | | | | | | | |

THAIFAST ELECTRIC CORPORATION LIMITED
162 MOO 17 SOI KRITTA 2 TAMBON BANG PHU YAI
AMPHUR BANGPHU SAMUT PRAKAN 10540
TEL: 02-041-7413 , 02-041-7423 , 02-041-7433

PART NAME
Well Mounted Automatic Urinal Flush Valve