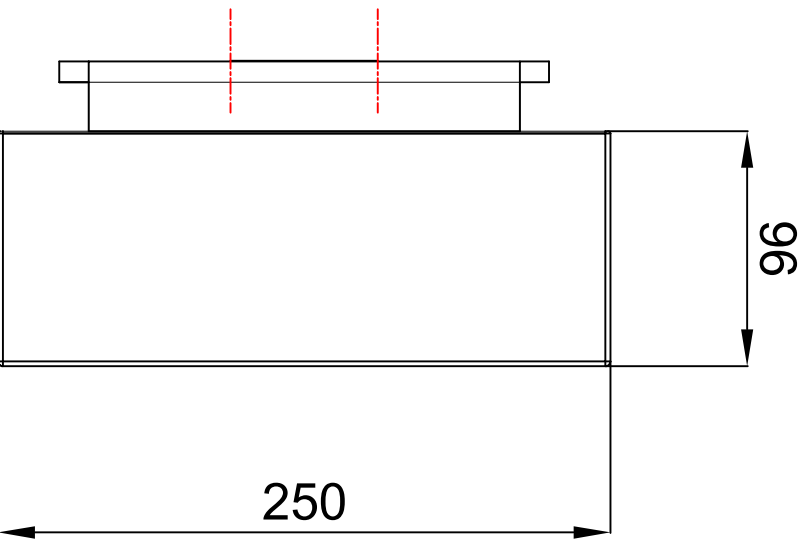
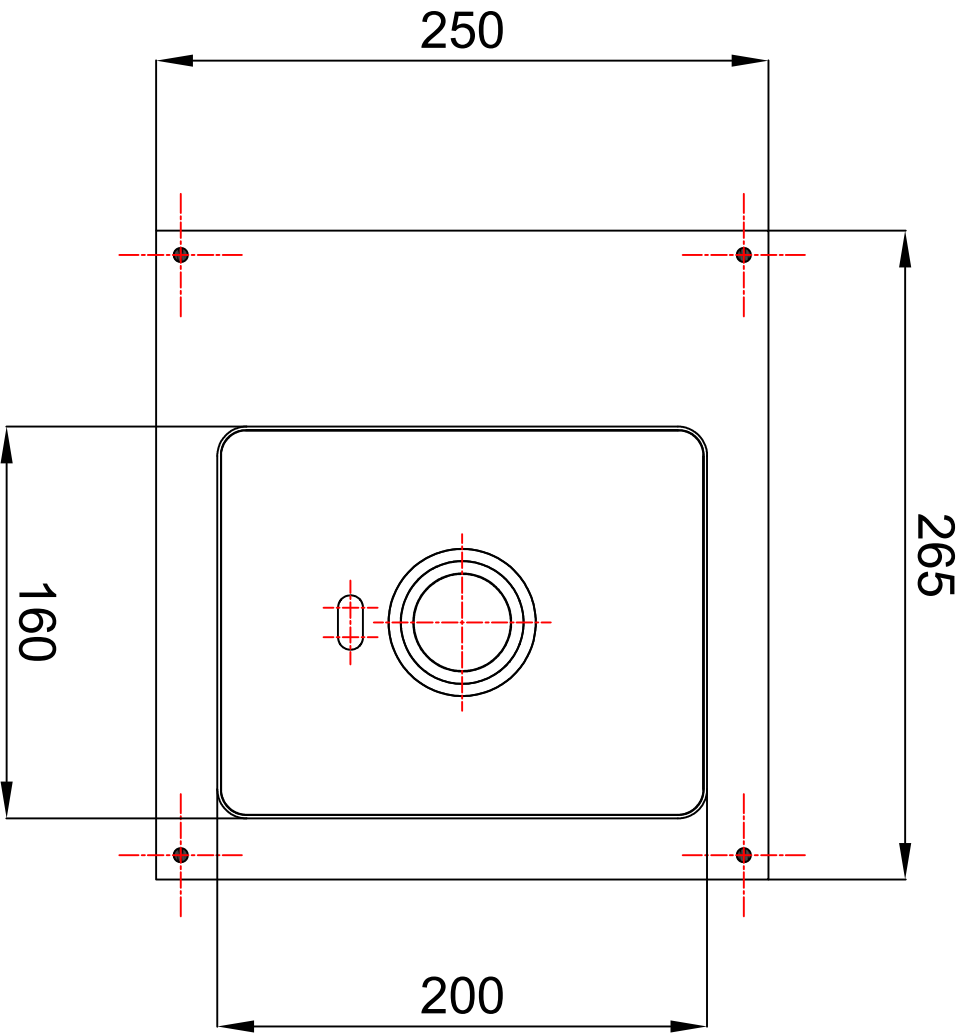


COPY TO	QTY



UNIT  
mm

SCALE  
1:1

DESIGNED  
C. TIRAWAT  
25/03/2026

DRAWN  
C. TIRAWAT  
25/03/2026

CHECKED

APPROVAL

MATERIAL		-		QTY		-		REVISION		-	
TOLERANCE $\pm 0.2$		-		SET		-		PART CODE		AT-315WMS	
UP TO		-		DATE		-		CHECKED		R.N.O.	
OVER		-		DATE		-		PART NAME		Wall - Mounted Automatic Toilet Flush Valve	



THAIFAST ELECTRIC CORPORATION LIMITED  
162 MOO 17 SOI KRITTA 2 TAMBON BANG PHU YAI  
AMPHUR BANGPHU SAMUT PRAKAN 10540  
TEL: 02-041-7413 , 02-041-7423 , 02-041-7433