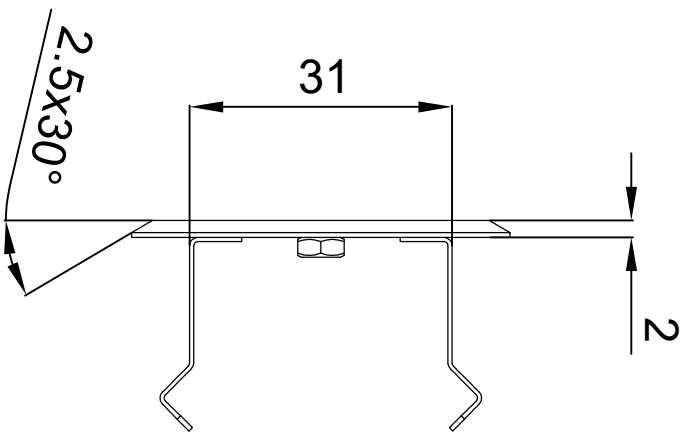
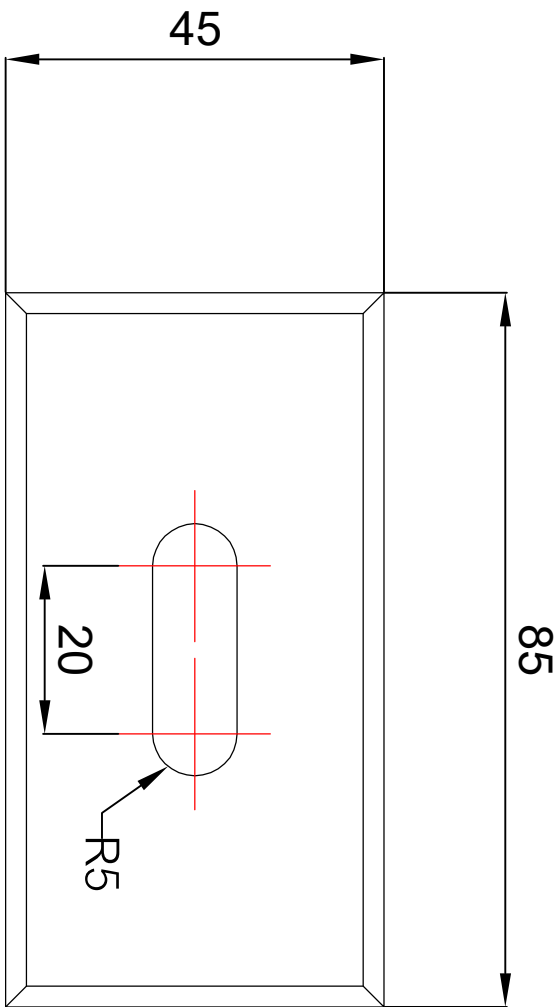


COPY TO	QTY



UNIT
mm

SCALE
1:1

DESIGNED
C. TIRAWAT
27/03/2026

DRAWN
C. TIRAWAT
27/03/2026

CHECKED

APPROVAL

MATERIAL		-		QTY		-		DATE		REVISION		CHECKED		R.N.O.	
TOLERANCE ± 0.2		MODEL		SET		DATE		PART CODE		PART NAME		AT-390			
UP TO															
OVER															



THAIFAST ELECTRIC CORPORATION LIMITED
162 MOO 17 SOI KRITTA 2 TAMBON BANG PHU YAI
AMPHUR BANGPHU SAMUT PRAKAN 10540
TEL: 02-041-7413 , 02-041-7423 , 02-041-7433

PART NAME
Sensor Flush Valve