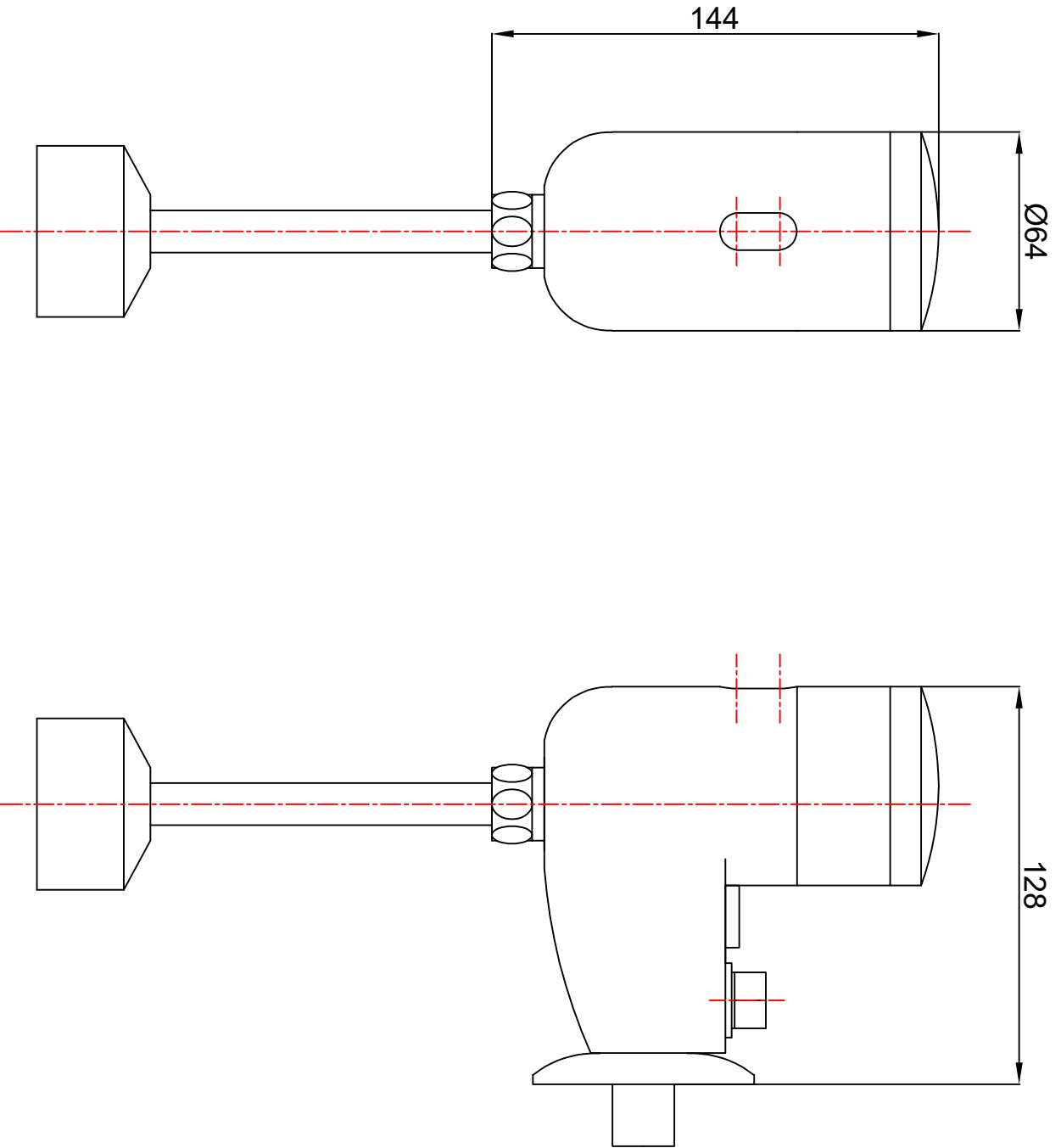


COPY TO	QTY



UNIT  
mm

SCALE  
1:1

DESIGNED  
C. TIRAWAT  
17/03/2026

DRAWN  
C. TIRAWAT  
17/03/2026

CHECKED

APPROVAL

MATERIAL

-

QTY  
-

SET

DATE

REVISION

CHECKED R.N.O.

TOLERANCE ±0.2

MODEL

PART CODE

UP TO

OVER

AT-100SX

THAIFAST ELECTRIC CORPORATION LIMITED  
162 MOO 17 SOI KRITTA 2 TAMBON BANG PHU YAI  
AMPHUR BANGPHU SAMUT PRAKAN 10540  
TEL: 02-041-7413 , 02-041-7423 , 02-041-7433

PART NAME  
Automatic Urinal Flush Valve