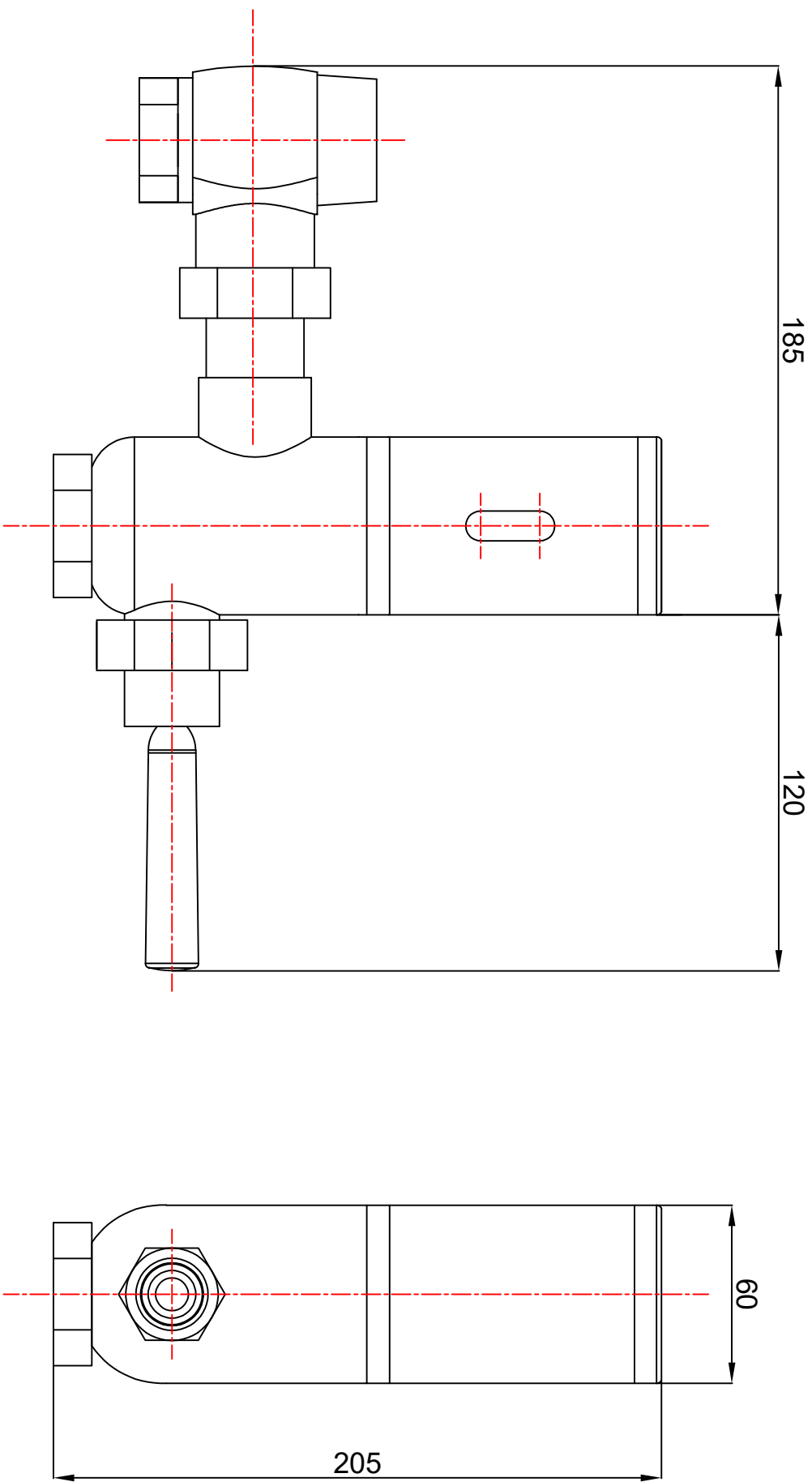


COPY TO	QTY



UNIT  
mm

SCALE  
1:1

DESIGNED  
C. TIRAWAT  
17/03/2026

DRAWN  
C. TIRAWAT  
17/03/2026

CHECKED

APPROVAL

MATERIAL	-	QTY	-	SET	DATE	REVISION	CHECKED	R.N.O.
TOLERANCE	±0.2	MODEL	-					
UP TO								
OVER								

THAIFAST ELECTRIC CORPORATION LIMITED  
162 MOO 17 SOI KRITTA 2 TAMBON BANG PHU YAI  
AMPHUR BANGPHU SAMUT PRAKAN 10540  
TEL: 02-041-7413 , 02-041-7423 , 02-041-7433

PART NAME  
**Automatic Urinal Flush Valve**

AT-840U