

COPY TO	QTY

UNIT

mm

SCALE

1:1

DESIGNED

C. TIRAWAT

26/03/2026

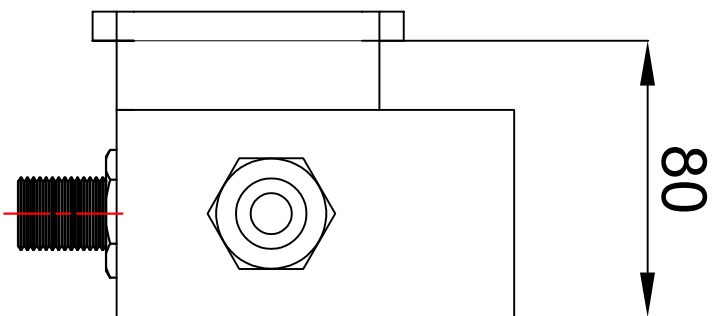
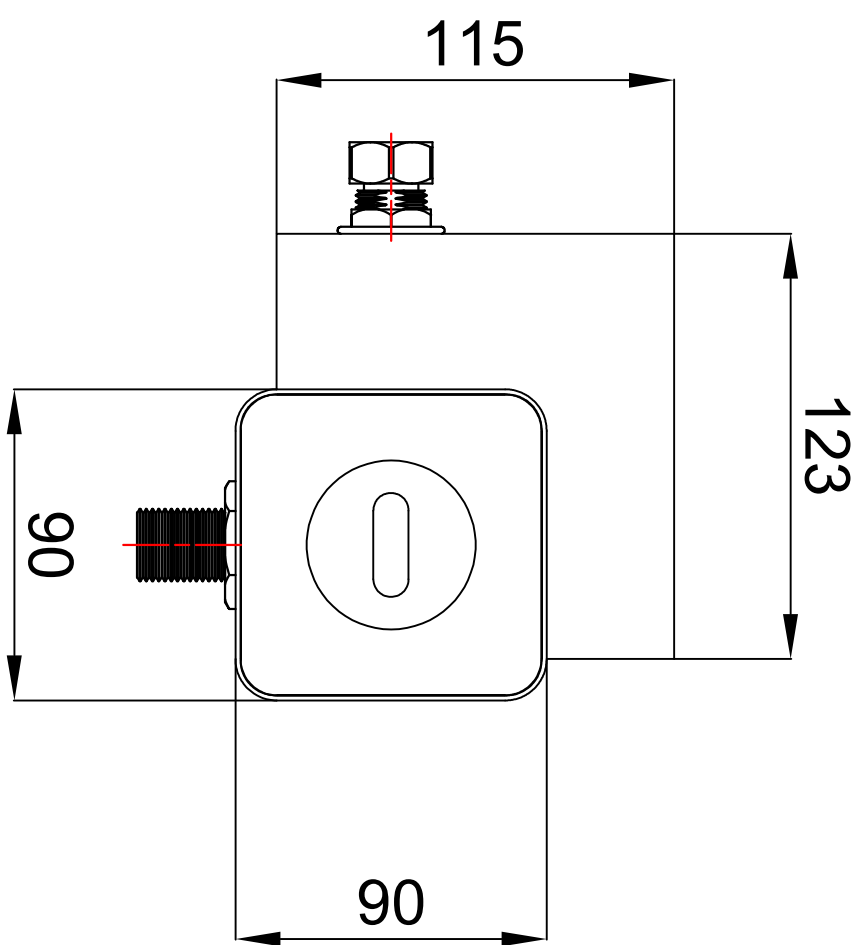
DRAWN

C. TIRAWAT

26/03/2026

CHECKED

APPROVAL



MATERIAL		-		QTY		-		DATE		REVISION		CHECKED		R.N.O.	
TOLERANCE		±0.2		MODEL		-		DATE		REVISION		CHECKED		R.N.O.	
UP TO				MODEL		-		DATE		REVISION		CHECKED		R.N.O.	
OVER				MODEL		-		DATE		REVISION		CHECKED		R.N.O.	

THAIFAST ELECTRIC CORPORATION LIMITED
 162 MOO 17 SOI KRITTA 2 TAMBON BANG PHU YAI
 AMPHUR BANGPHU SAMUT PRAKAN 10540
 TEL: 02-041-7413 , 02-041-7423 , 02-041-7433

PART NAME
WallMounted Automatic Urinal Flush Valve

PART CODE
AT-312U